

▶ B12-CH20

Formaldehyde fixed detector (CH2O)



Technical specifications

- Detected gas:** formaldehyde (CH₂O)
Accuracy: +/- 5% of the value, but limits based on the calibration gas accuracy
Repeatability: +/- 1% of span
Linearity: +/- 5% of span
Output: 4-20mA
Power supply: 12-28 VDC
Load resistance: 675 ohms maximum under 24VDC
Case material: NEMA 4X polystyrene, optional LCD display.
Settings: by potentiometer (zero and sensitivity) mounted on the electronic card
Operating temperature: from 0 to +50°C
Sensor material: Noryl
Weight: 0.4 kg

Product description

The **B12-CH20** detector is a 2-wire transmitter made up of a corrosion-resistant sensor specially designed to operate in an environment where the relative humidity can reach 100%.

This transmitter is ideal for the detection of formaldehyde, better known as methanal or formol.

Formaldehyde is a toxic gas by inhalation (R23), in contact with the skin (R24) and by ingestion (R25). Among other things, it can cause burns (R34).

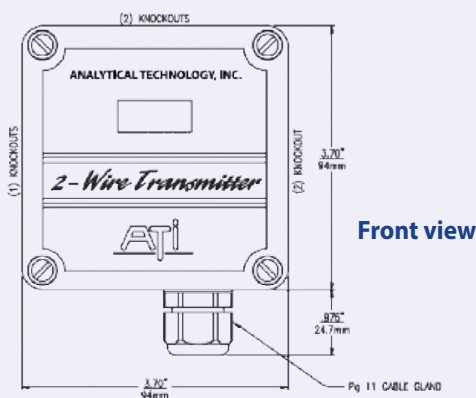
The International Agency for Research on Cancer (IARC) has conducted numerous studies and found a link between formaldehyde exposure and cancer risk (R40).

The **B12-CH20** detector is available with or without display, with a measurement range of 0-20 or 0-200 ppm (to specify when ordering).

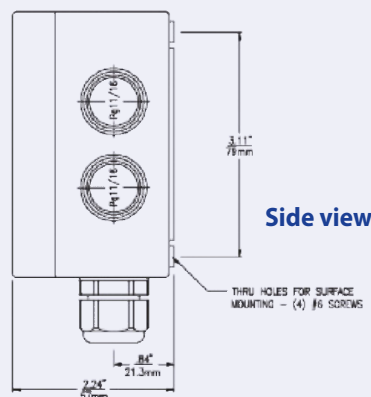
These transmitters are supplied with 24V and are equipped with a 4-20mA output.

- Direct measurement
- Minimum maintenance
- Quick response time
- Optional LCD display
- Low consumption

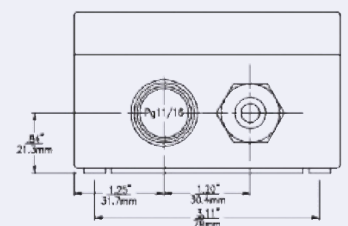
Description	Code
CH2O formaldehyde sensor (0-20/200 ppm) with display	B12-38-4
CH2O formaldehyde sensor (0-20/200 ppm) without display	B12-38-1



Front view



Side view



Bottom view